

Specification Sheet

Product Description: Multiwell Plates

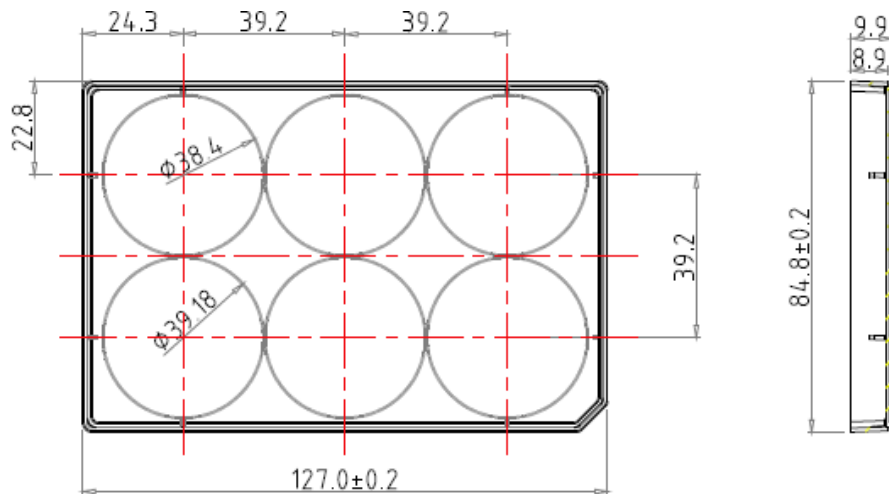
Cat #: 25-100, 25-105

Component Materials:

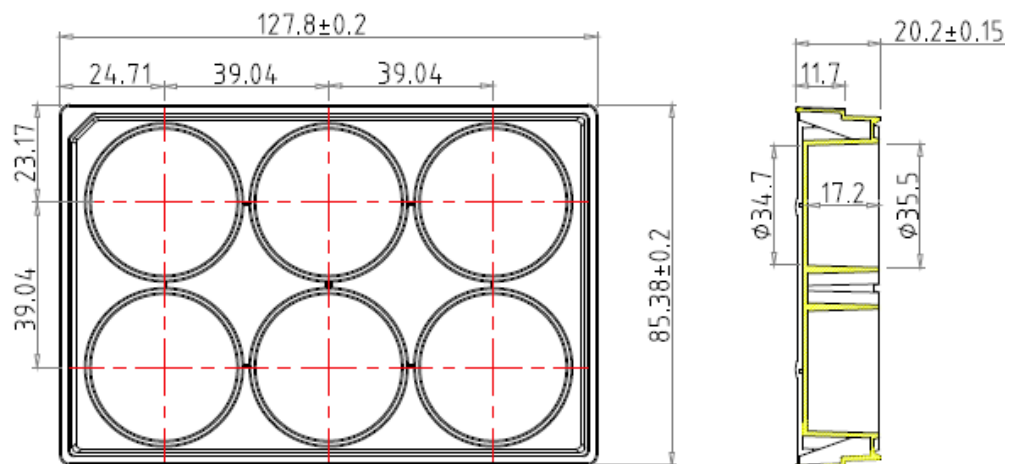
- 100% USP VI Virgin Crystal Class Polystyrene.
- Tray: Medical style recyclable PET
- Gamma resistant.

Dimensions = mm

Lid



Plate



Features:

- Available in individual recyclable PET
- Temperature range: -20°C to +50°C
- Autoclavability: No
- Non-pyrogenic
- Shelf life: 3 years after month of production

STERILITY:

- Sterilized by gamma irradiation SAL10⁻⁶

PRODUCT ISO 9000 CERTIFICATION:

- Manufactured in a class 100,000 room environment.
- Manufactured under Management System as per ISO9001:2008 and ISO13485