

Product Data Sheet

Cell Culture Multi-flasks

Description

3-layer Cell Culture Flask, Surface Treated, Vent Cap, Sterile

Purpose

Cell Culture Multi-flasks enable you to grow more cells faster and easier, thereby making your cell culture workflow more productive.

Materials

Flask: GPPS (General Polystyrene)

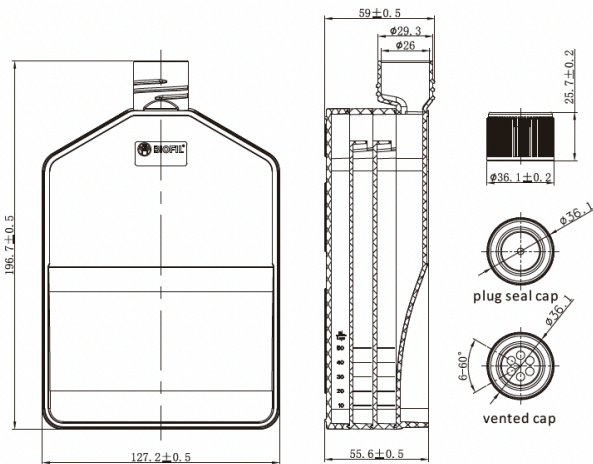
Cap: HDPE (High-density Polyethylene)

Color: Light green

Membrane: 0.22µm Hydrophobic PTFE (only use for Vent Cap)



Dimensions (Unit: mm)



Features

- Vent caps incorporate a 0.22µm hydrophobic membrane for optimal gas exchange while protecting against contamination
- Molded graduations stand out distinctly on these optically clear
- Recommended working volume: 25-50mL per layer
- Growth area: 525.0cm²
- Consistent surface treatment for predictable scale-up
- DNase/RNase free and non-pyrogenic
- Sterilized by irradiation SAL10-6 (ISO11137)
- Shelf Life: 3 years after month of production
- Manufactured in a class 100,000 room environment
- Manufactured under ISO13485 and ISO9001 quality management system
- Flexible design allows you to pour or aspirate/recover cells using a pipet
- Even distribution of media across all layers for homogenous cell growth



Cell Culture Multi-flasks

Cat #	Product	Sterilization	Qty/Bag	Qty/Case
25-150	3-layer Cell Culture Flask, Surface Treated, Vent Cap	Yes	2	12

Product Data Sheet

Cell Culture Multi-flasks

Description

5-layer Cell Culture Flask, Surface Treated, Vent Cap, Sterile

Purpose

Cell Culture Multi-flasks enable you to grow more cells faster and easier, thereby making your cell culture workflow more productive.

Materials

Flask: GPPS (General Polystyrene)

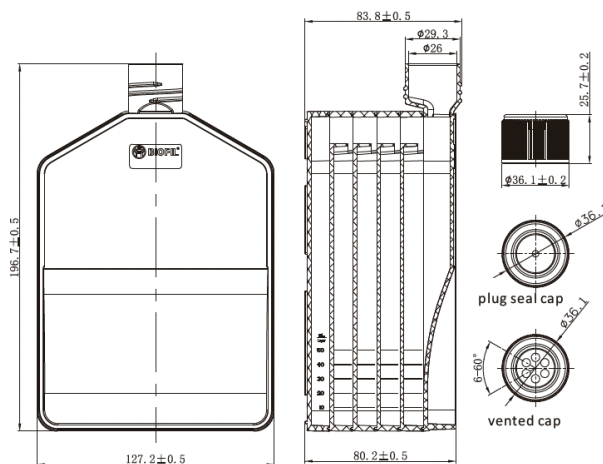
Cap: HDPE (High-density Polyethylene)

Color: Light green

Membrane: 0.22µm Hydrophobic PTFE (only use for Vent Cap)

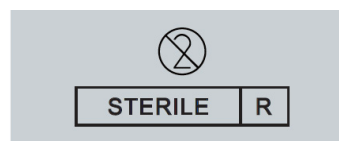


Dimensions (Unit: mm)



Features

- Vent caps incorporate a 0.22µm hydrophobic membrane for optimal gas exchange while protecting against contamination
- Molded graduations stand out distinctly on these optically clear
- Recommended working volume: 25-50mL per layer
- Growth area: 875.0cm²
- Consistent surface treatment for predictable scale-up
- DNase/RNase free and non-pyrogenic
- Sterilized by irradiation SAL10-6 (ISO11137)
- Shelf Life: 3 years after month of production
- Manufactured in a class 100,000 room environment
- Manufactured under ISO13485 and ISO9001 quality management system



Cell Culture Multi-flasks

Cat #	Product	Sterilization	Qty/Bag	Qty/Case
25-151	5-layer Cell Culture Flask, Surface Treated, Vent Cap	Yes	1	8