

Cell Culture Flask

(Cat # 25-205, 25-204, 25-212, 25-208, 25-207, 25-206, 25-213, 25-209, 25-214, 25-211, 25-210, 25-215)

1. Description

These Cell Culture Flasks are ergonomically designed for easy handling, while achieving minimal contamination during cell culture. Short, wide, and angled neck design enables easy access of serological pipettes and cell scrapers. Growth area for T12.5, T25, T75 and T175 are 12.5 cm², 25 cm², 75 cm², 175 cm² respectively.

2. Features

- ❖ Ergonomic design to facilitate easy handling and minimize contamination
- ❖ Short & wide neck with angled design allow easy access
- ❖ Plugs & vented filter caps are available for all flask models
- ❖ Cell growth area ranging from 12.5 cm², 25 cm², 75 cm², 175 cm²
- ❖ Non-treated models (for suspension culture) are provided with white caps

3. Functional Test

Sterility	:	Passed
Cytotoxicity	:	Passed
Non-Pyrogenic	:	Passed
RNase/DNase free	:	Passed
DNA free	:	Passed

4. Product Range

T12.5 Flask

Cat.No.	Material	Cap Type	Growth Area (cm ²)	Working Volume (ml)	Total Volume (ml)	Surface Treatment	Sterile	Packaging
25-205	PS	Filter	12.5	5	25	+	+	10 / 200
25-204	PS	Plug	12.5	5	25	+	+	10 / 200
25-212	PS	Filter	12.5	15	25	-	+	10 / 200

T25 Flask

Cat.No.	Material	Cap Type	Growth Area (cm ²)	Working Volume (ml)	Total Volume (ml)	Surface Treatment	Sterile	Packaging
25-207	PS	Filter	25	7	60	+	+	10 / 200
25-206	PS	Plug	25	7	60	+	+	10 / 200
25-213	PS	Filter	25	40	60	-	+	10 / 200

T75 Flask

Cat.No.	Material	Cap Type	Growth Area (cm ²)	Working Volume (ml)	Total Volume (ml)	Surface Treatment	Sterile	Packaging
25-209	PS	Filter	75	25	250	+	+	5 / 100
25-208	PS	Plug	75	25	250	+	+	5 / 100
25-214	PS	Filter	75	170	250	-	+	5 / 100

T175 Flask

Cat.No.	Material	Cap Type	Growth Area (cm ²)	Working Volume (ml)	Total Volume (ml)	Surface Treatment	Sterile	Packaging
25-211	PS	Filter	175	50	650	+	+	5 / 40
25-210	PS	Plug	175	50	650	+	+	5 / 40
25-215	PS	Filter	175	450	650	-	+	5 / 40

5. Certification

Genesee Scientific certifies that the products identified above are inspected to be in compliance with product quality specification and requirements as documented in the manufacturer's ISO 9001:2015 Quality Management System.

6. Specifications & Technical Drawing

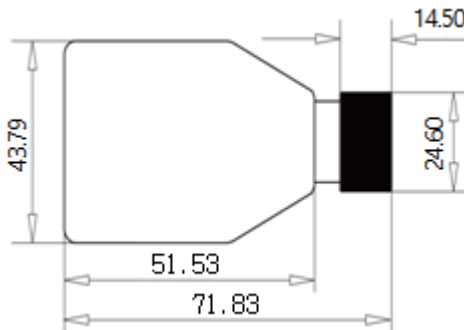
(1) T12.5 Cell Culture Flask (# 25-205, 25-204, 25-212)

- Specifications

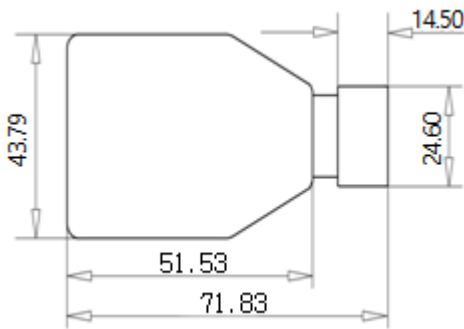
Cap		Body		Material (Resin)	Packaging
Width:	24.60 mm	Length:	51.53 mm		
Height:	14.50 mm	Width:	43.79 mm		
		Height:	27.60 mm		
Total Volume:		25.00 ml			
Growth Area:		12.50 cm ²			

- Technical Drawing

Cell Culture-Treated (#25-205/25-204) – Blue Caps
Working Volume: 5.00 ml



Non-Treated (#25-212) – White Caps
Working Volume: 15.00 ml



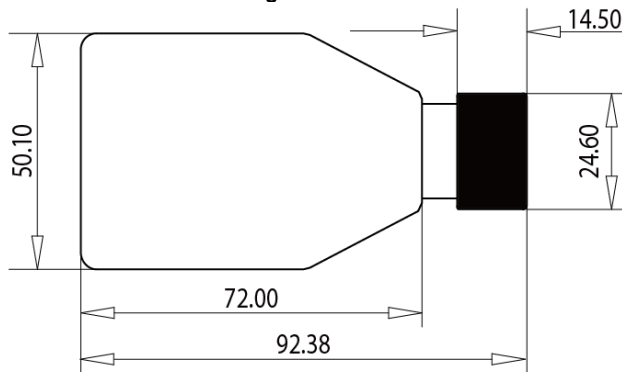
(2) T25 Cell Culture Flask (# 25-207, 25-206, 25-213)

- Specifications

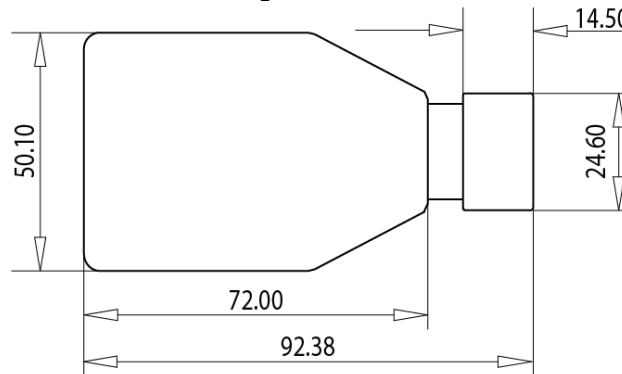
Dimensions		Material (Resin)	Packaging
Cap	Body		
Width: 24.60 mm Height: 14.50 mm	Length: 72.00 mm Width: 50.10 mm Height: 27.60 mm	Crystal-grade polystyrene (PS)	<ul style="list-style-type: none"> • Pieces/Sleeve: 10 • Pieces/Case: 200
Total Volume: 60.00 ml Growth Area: 25.00 cm ²			

- Technical Drawing

Cell Culture-Treated (#25-207/25-206) – Blue Caps
Working Volume: 7.00 ml



Non-Treated (#25-213) – White Caps
Working Volume: 40.00 ml



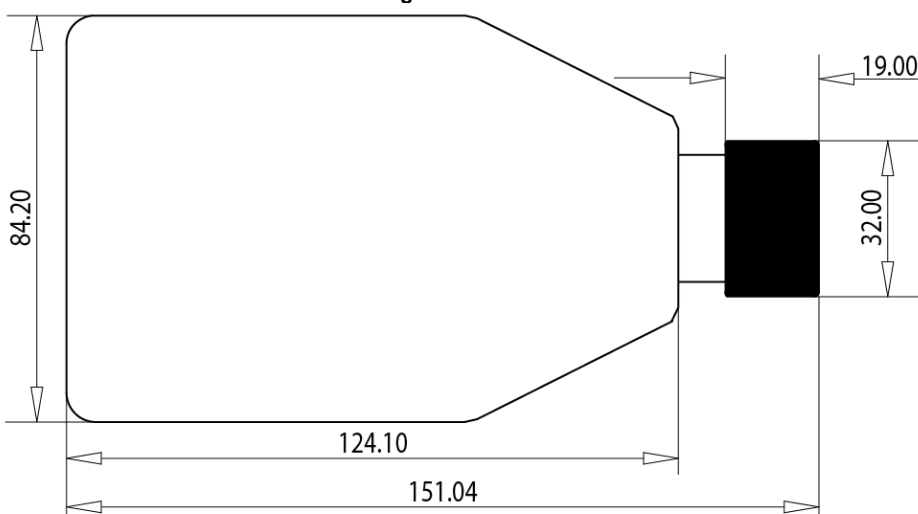
(3) T75 Cell Culture Flask (# 25-209, 25-208, 25-214)

- Specifications

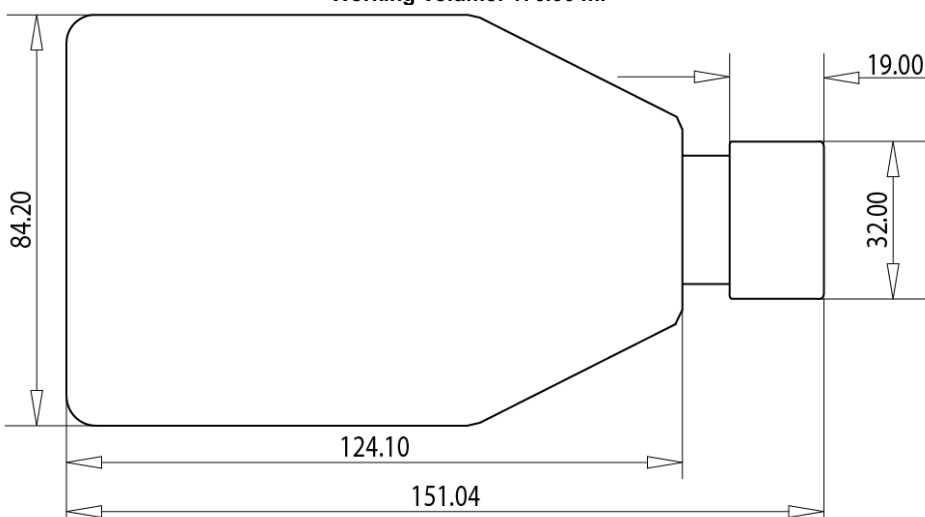
Dimensions		Material (Resin)	Packaging
Cap	Body		
Width: 32.00 mm Height: 19.00 mm	Length: 124.10 mm Width: 84.20 mm Height: 39.60 mm	Crystal-grade polystyrene (PS)	<ul style="list-style-type: none"> • Pieces/Sleeve: 5 • Pieces/Case: 100
Total Volume: 250.00 ml Growth Area: 75.00 cm ²			

- Technical Drawing

Cell Culture-Treated (#25-209/25-208) – Blue Caps
Working Volume: 25.00 ml



Non-Treated (#25-214) – White Caps
Working Volume: 170.00 ml



(4) T175 Cell Culture Flask (#25-211/25-210/25-215)

- Specifications

Cap		Dimensions		Material (Resin)	Packaging
		Body			
Width:	34.72 mm	Length:	199.08 mm	Crystal-grade polystyrene (PS)	<ul style="list-style-type: none"> • Pieces/Sleeve: 5 • Pieces/Case: 40
Height:	20.50 mm	Width:	116.60 mm		
		Height:	40.00 mm		
Total Volume:		650.00 ml			
Growth Area:		175.00 cm ²			

- Technical Drawing

Cell Culture-Treated (#25-211/25-210) – Blue Caps
Working Volume: 50.00 ml



Non-Treated (#25-215) – White Caps
Working Volume: 450.00 ml

